

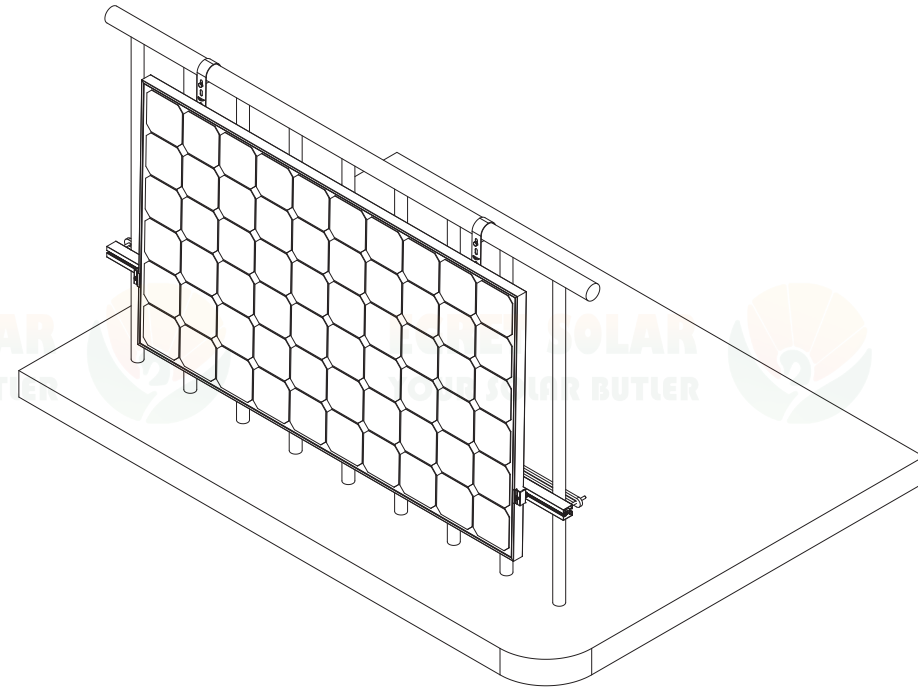
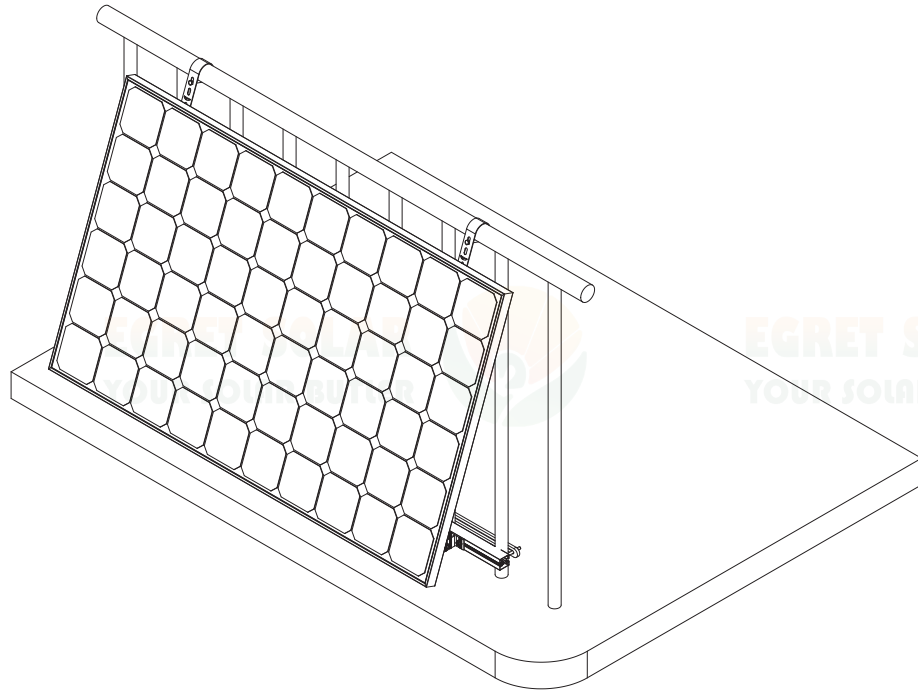
EGRET SOLAR
YOUR SOLAR BUTLER



EGRET SOLAR
YOUR SOLAR BUTLER



EGRET SOLAR
YOUR SOLAR BUTLER



EGRET SOLAR
YOUR SOLAR BUTLER




EGRET SOLAR
YOUR SOLAR BUTLER



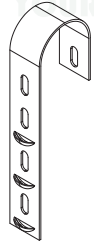
EGRET SOLAR
YOUR SOLAR BUTLER



Version	Date	Approval	Change mark	Description of Change
A				

Project Name	Balcony Hook	Project No.	
Design		 厦门鹭伏特新能源科技有限公司 Xiamen Egret Solar New Energy Technology Co., Ltd	
Chk'D			
App'V'D			

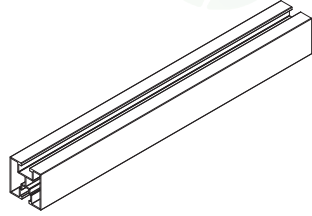
EGRET SOLAR
YOUR SOLAR BUTLER



Hook



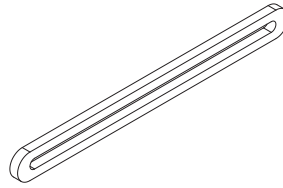
EGRET SOLAR
YOUR SOLAR BUTLER



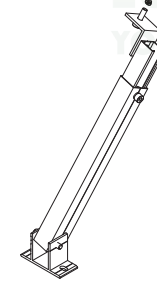
Rail



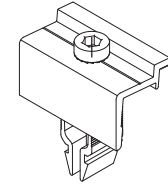
EGRET SOLAR
YOUR SOLAR BUTLER



Baffle Plate



Adjustable Rod



Rapid End Clamp

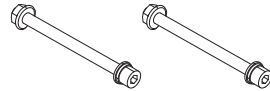
EGRET SOLAR
YOUR SOLAR BUTLER



M8x25mm Hexagon socket bolt



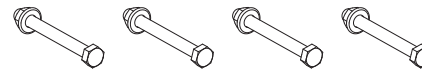
EGRET SOLAR
YOUR SOLAR BUTLER



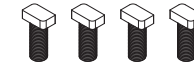
M8x90mm Hexagon socket bolt



EGRET SOLAR
YOUR SOLAR BUTLER



M10x55mm Outer hexagon bolt



M8x25mm T-bolt

EGRET SOLAR
YOUR SOLAR BUTLER




EGRET SOLAR
YOUR SOLAR BUTLER



EGRET SOLAR
YOUR SOLAR BUTLER



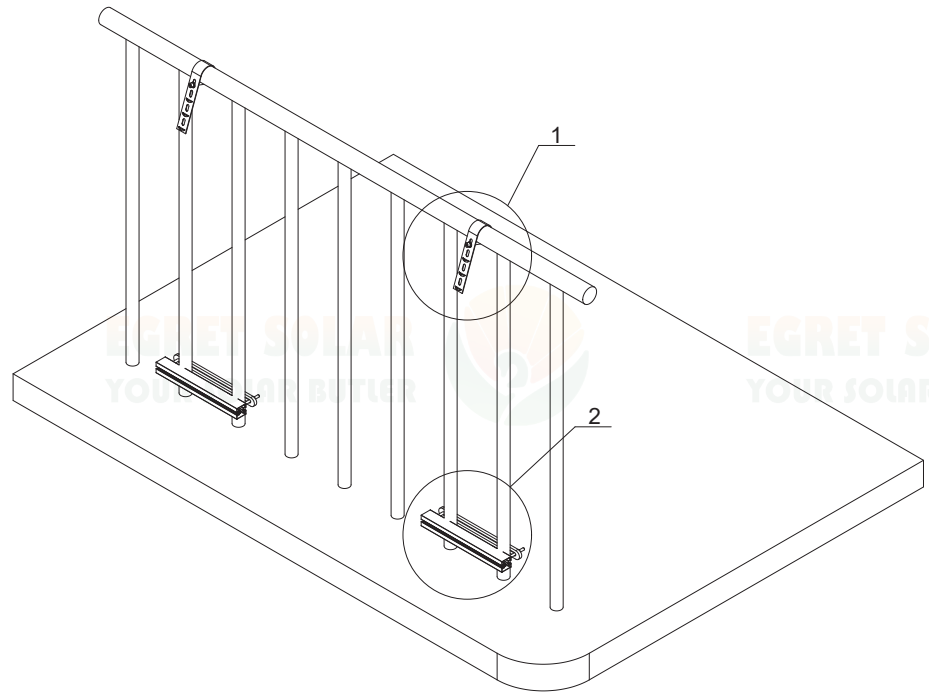
Version	Date	Approval	Change mark	Description of Change
A				

Project Name	Balcony Hook	Project No.	
Design		 厦门鹭伏特新能源科技有限公司 Xiamen Egret Solar New Energy Technology Co., Ltd	
Chk'D			
App'V'D			

EGRET SOLAR
YOUR SOLAR BUTLER

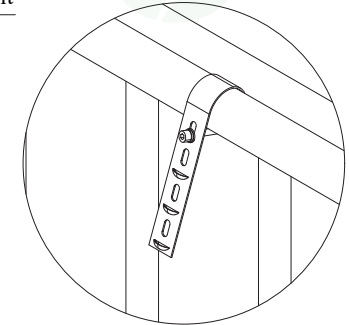
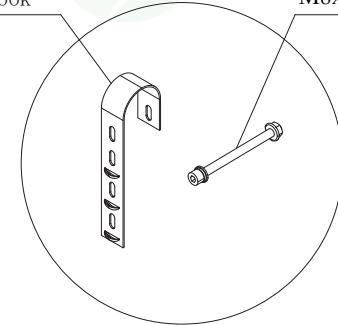
EGRET SOLAR
YOUR SOLAR BUTLER

EGRET SOLAR
YOUR SOLAR BUTLER



Hook

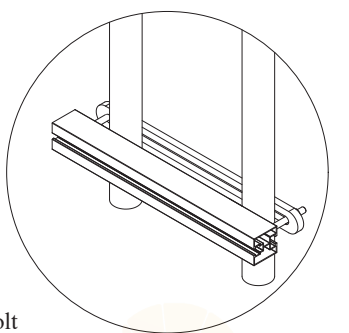
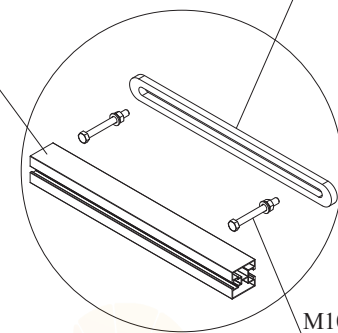
M8x90mm Hexagon socket bolt



Baffle Plate

Rail

M10x55mm Outer hexagon bolt




EGRET SOLAR
YOUR SOLAR BUTLER

EGRET SOLAR
YOUR SOLAR BUTLER

EGRET SOLAR
YOUR SOLAR BUTLER

Version	Date	Approval	Change mark	Description of Change
A				

Project Name	Balcony Hook	Project No.	
Design		 厦门鹭伏特新能源科技有限公司 Xiamen Egret Solar New Energy Technology Co., Ltd	
Chk'D			
App'V'D			

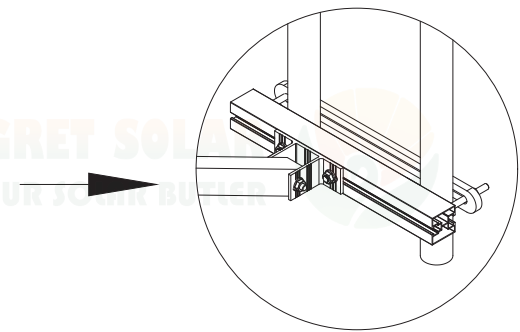
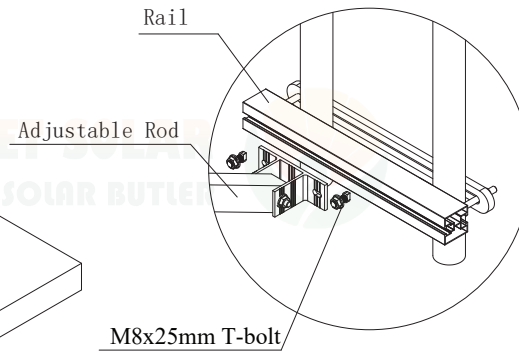
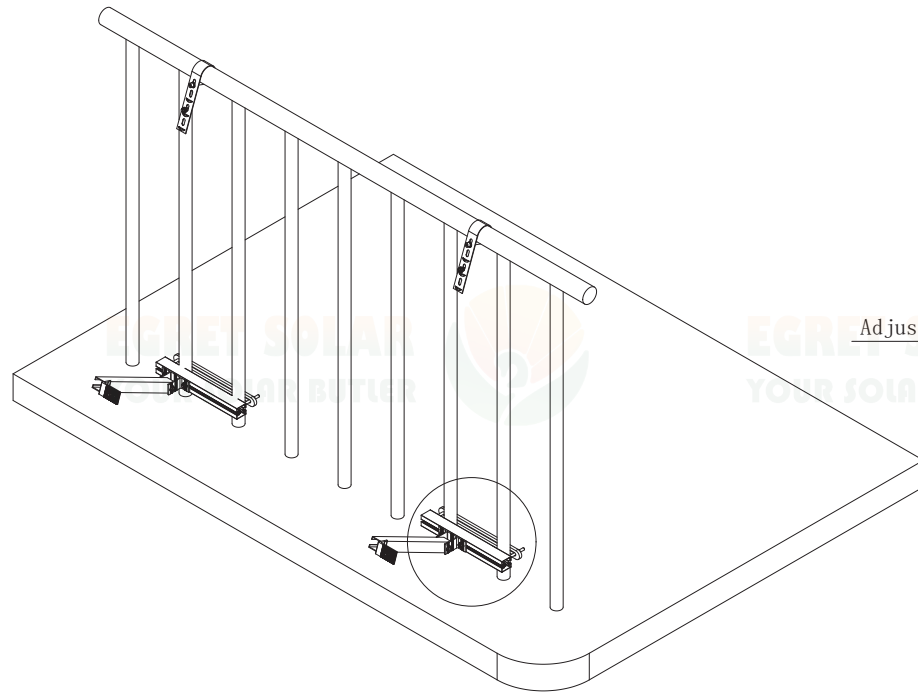
EGRET SOLAR
YOUR SOLAR BUTLER



EGRET SOLAR
YOUR SOLAR BUTLER



EGRET SOLAR
YOUR SOLAR BUTLER



EGRET SOLAR
YOUR SOLAR BUTLER



EGRET SOLAR
YOUR SOLAR BUTLER



EGRET SOLAR
YOUR SOLAR BUTLER



Version	Date	Approval	Change mark	Description of Change
A				

Project Name	Balcony Hook	Project No.	
Design		 厦门鹭伏特新能源科技有限公司 Xiamen Egret Solar New Energy Technology Co., Ltd	
Chk'D			
App'V'D			

EGRET SOLAR
YOUR SOLAR BUTLER



EGRET SOLAR
YOUR SOLAR BUTLER



EGRET SOLAR
YOUR SOLAR BUTLER



EGRET SOLAR
YOUR SOLAR BUTLER



EGRET SOLAR
YOUR SOLAR BUTLER



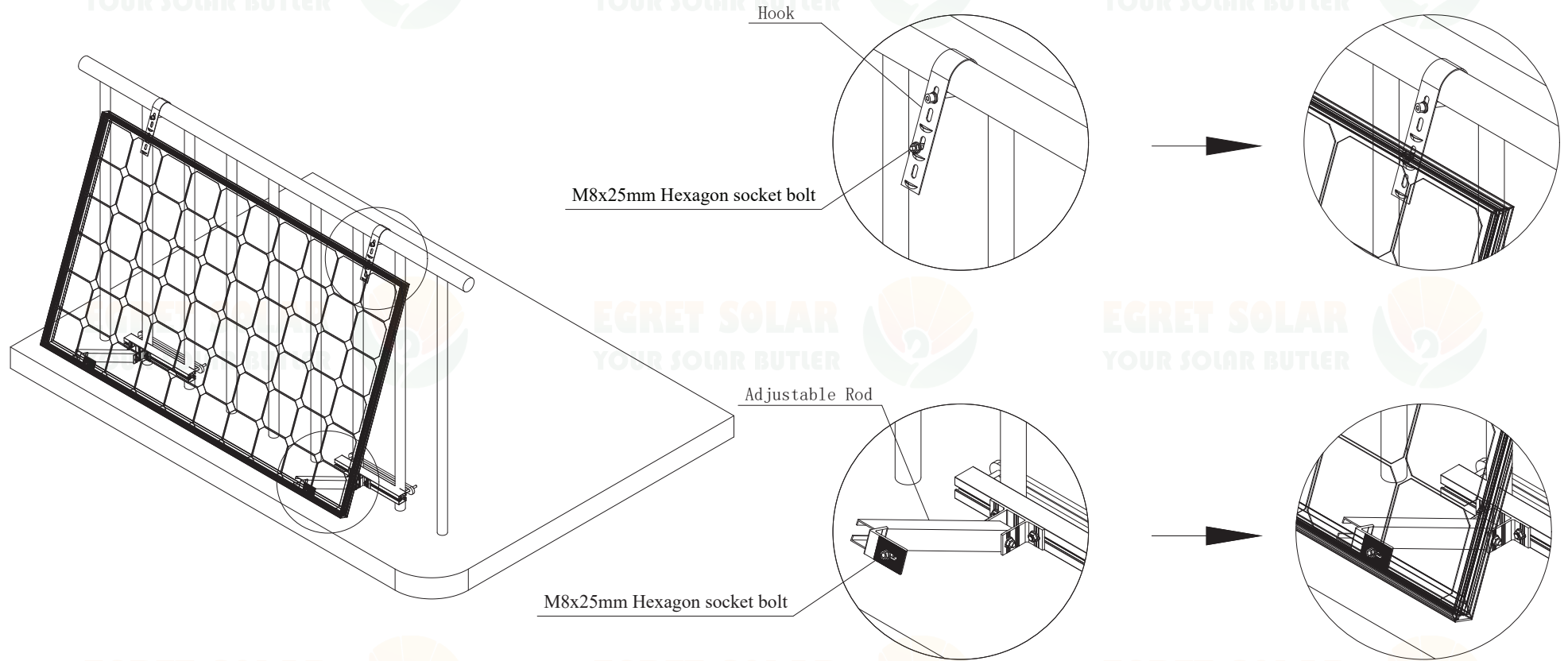
EGRET SOLAR
YOUR SOLAR BUTLER



EGRET SOLAR
YOUR SOLAR BUTLER



EGRET SOLAR
YOUR SOLAR BUTLER



Version	Date	Approval	Change mark	Description of Change
A				

Project Name	Balcony Hook	Project No.	
Design		 厦门鹭伏特新能源科技有限公司 Xiamen Egret Solar New Energy Technology Co., Ltd	
Chk'D			
App'V'D			

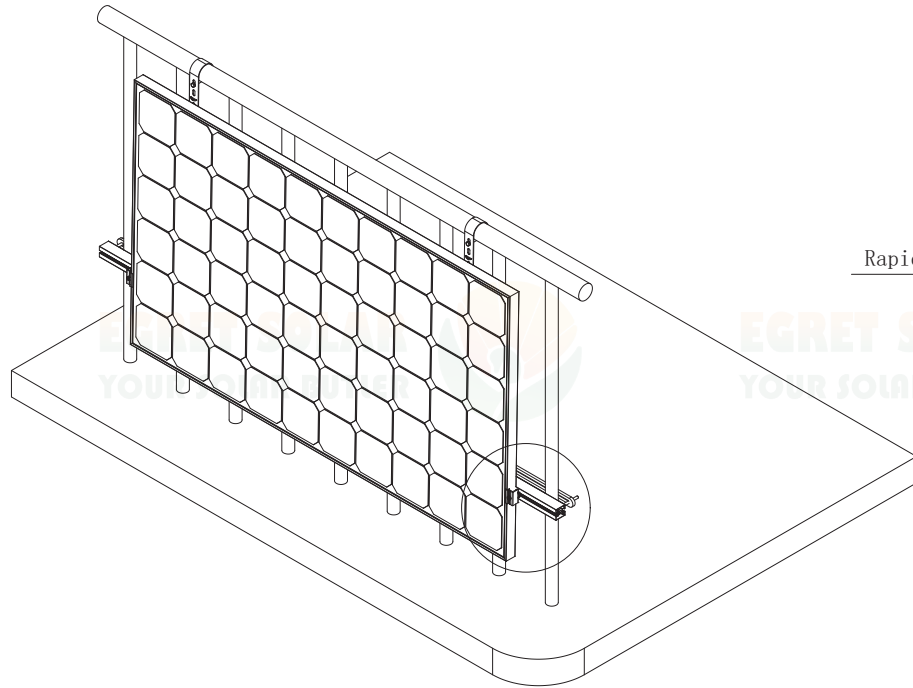
EGRET SOLAR
YOUR SOLAR BUTLER



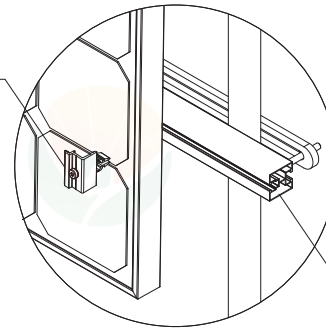
EGRET SOLAR
YOUR SOLAR BUTLER



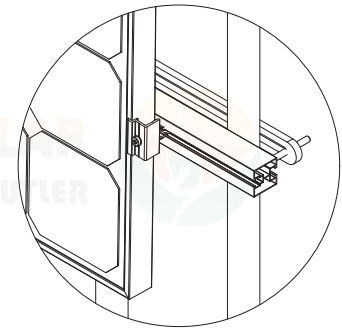
EGRET SOLAR
YOUR SOLAR BUTLER



Rapid End Clamp



Rail



EGRET SOLAR
YOUR SOLAR BUTLER




EGRET SOLAR
YOUR SOLAR BUTLER



EGRET SOLAR
YOUR SOLAR BUTLER



Version	Date	Approval	Change mark	Description of Change
A				

Project Name	Balcony Hook	Project No.	
Design		 厦门鹭伏特新能源科技有限公司 Xiamen Egret Solar New Energy Technology Co., Ltd	
Chk'D			
App'V'D			